

Aeris Numo Comfort



Product information
Product dimensions
Tender text
TÜV-GS certificate
Care instructions
Fabric sample overview

Aeris Numo Comfort Product information



Product information

Fit for New Work.



Aeris Numo Comfort Product information

Aeris Numo Comfort

The Aeris Numo Comfort is a casual conference chair that combines several Aeris products to create a perfect overall look. With its integrated Aeris technologies, it creates a completely new seating experience in meetings and promotes mobility and thus also the productivity and inspiration of the user. The wide seat shell in a slatted design with extra padding ensures maximum comfort and ergonomic support.



Product information



Thanks to two mechanisms, the patented Aeris kinematics follow the natural urge to move forwards and backwards. The optional backrest cushion has an integrated lumbar support that relieves pressure on the back and supports an upright posture. The flexible zone on the front edge of the seat prevents unpleasant pressure points and congestion in the thighs.

Aeris Numo Comfort Product information

Aeris Numo Comfort

Product information

Technical details

Height
87 cm

Seat height
48 cm

Shell
Glass fibre reinforced
polypropylene

Frames
Each with glides for hard and
soft floors

max. user weight
120 kg

Skid base
Round steel, chrome-plated or
powder-coated,
weight: 8.7 kg,
dimensions: 56.5 × 53.5 cm

Wooden legs
Natural oak, massive
FSC certified,
weight: 7.6 kg,
dimensions: 55 × 53.5 cm

Star base
Die-cast aluminium polished or
powder coated,
weight: 8.6 kg,
dimensions: 59 × 53.5 cm

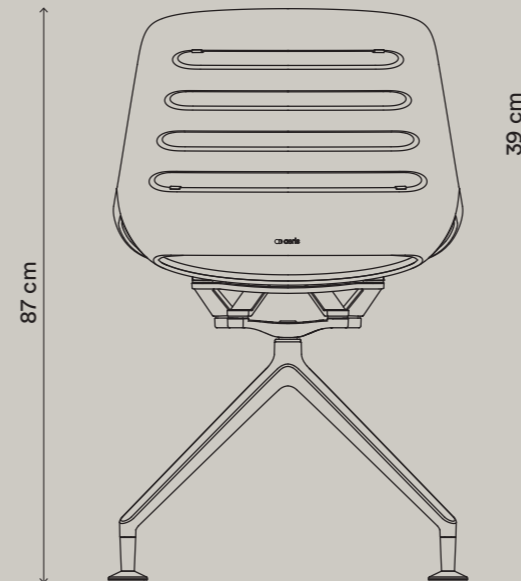
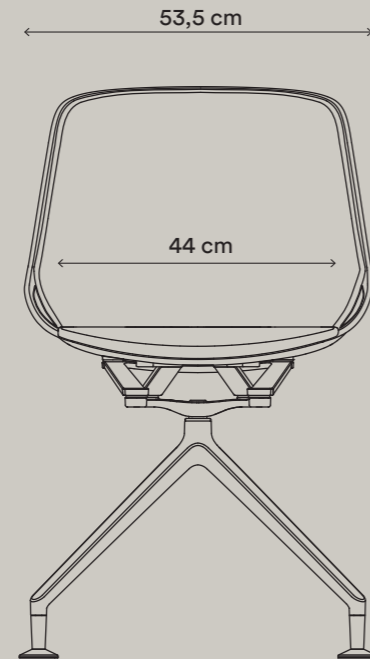
Awards and Certifications:



Aeris Numo Comfort Product dimensions

Aeris Numo Comfort

Star base



Product dimensions

Dimensions

Overall height
87 cm

Overall depth
59 cm

Overall width
53,5 cm

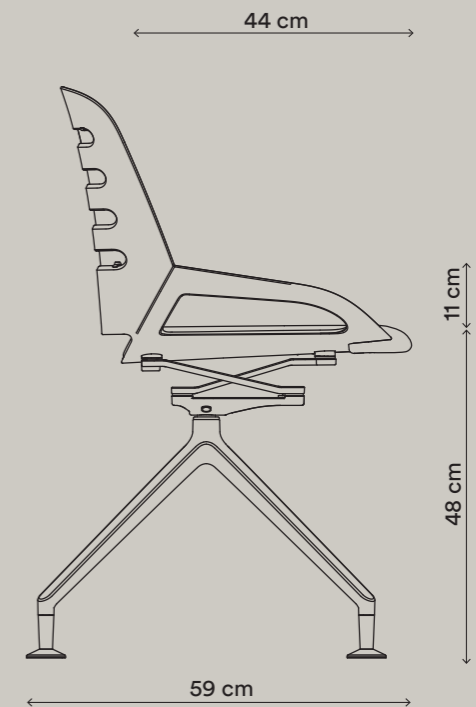
Seat height
48 cm

Backrest height (from seat)
39 cm

Armrest height
11 cm

Seat width
44 cm

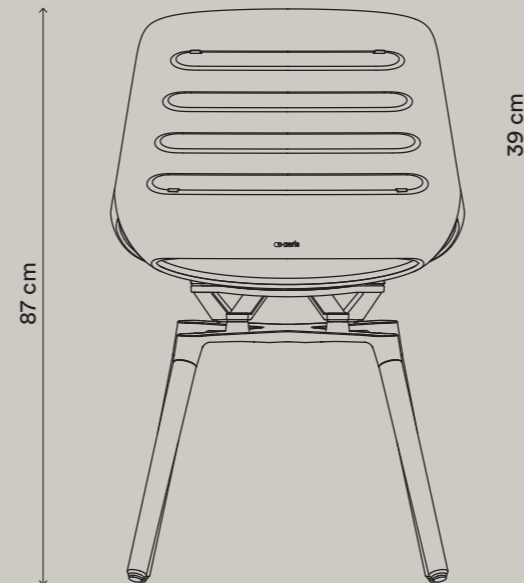
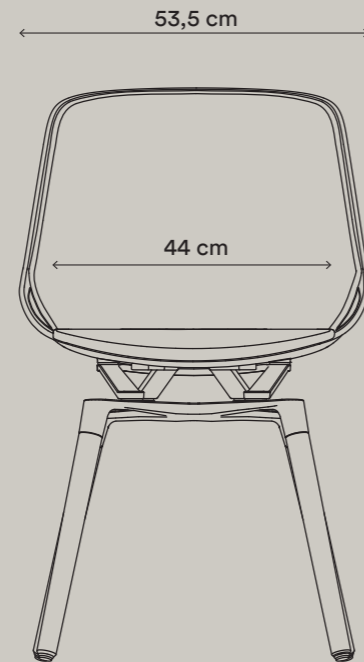
Seat depth
44 cm



Aeris Numo Comfort Product dimensions

Aeris Numo Comfort

Wooden legs



Product dimensions

Dimensions

Overall height
87 cm

Overall depth
55 cm

Overall width
53,5 cm

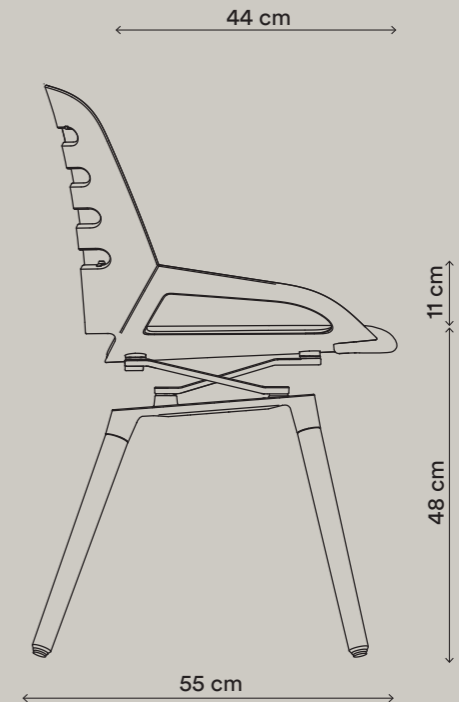
Seat height
48 cm

Backrest height (from seat)
39 cm

Armrest height
11 cm

Seat width
44 cm

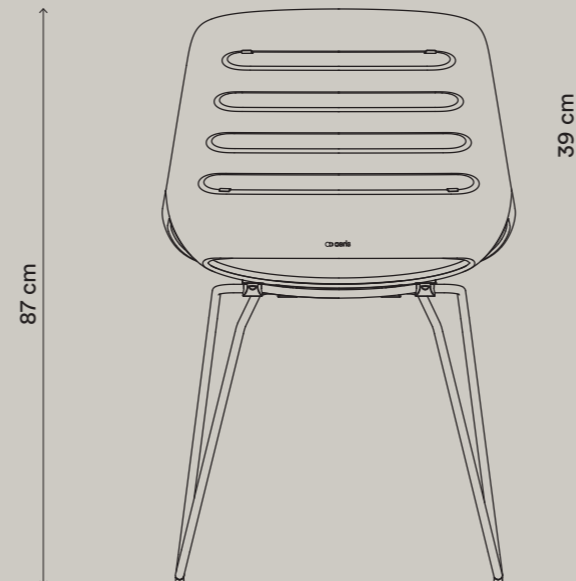
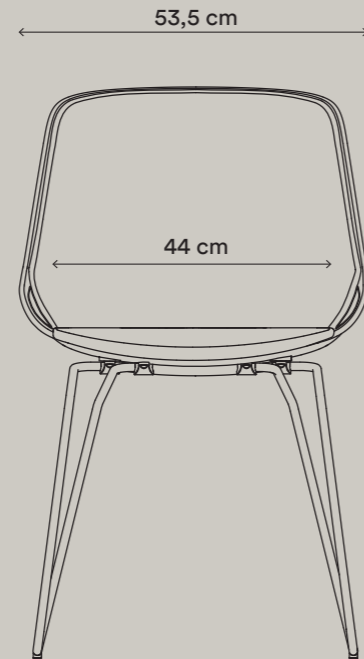
Seat depth
44 cm



Aeris Numo Comfort Product dimensions

Aeris Numo Comfort

Skid base



Product dimensions

Dimensions

Overall height
87 cm

Overall depth
56,5 cm

Overall width
53,5 cm

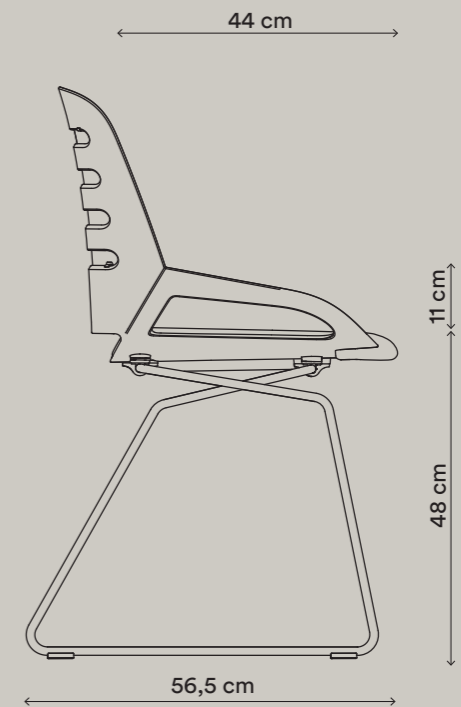
Seat height
48 cm

Backrest height (from seat)
39 cm

Armrest height
11 cm

Seat width
44 cm

Seat depth
44 cm



Aeris Numo Comfort Tender text

Aeris Numo Comfort

Product type

Active conference chair with skid base, wooden legs or star base



Tender text

Product description

The Aeris Numo Comfort is an ergonomic conference chair with patented kinematics. It enables a comfortable forward and backward tilt. The front flex zone of the seat cushion prevents unpleasant pressure points in the thighs. The retrofittable backrest cushion with integrated lumbar support helps to relieve pressure on the back and supports an upright posture. The back cushion also has a clip-in mechanism for easy insertion and removal. The slatted design of the backrest ensures good ventilation of the back in the version without back cushion. The various frames are tilt-proof and stable, and can be selected with a sled base, wooden legs or star base. The maximum user weight is 120 kg. The seat can be swivelled 360° on the model with a star base.

Aeris Numo Comfort TÜV-GS certificate

Aeris Numo Comfort

TÜV-GS Zertifikat TÜV-GS certificate

Zertifikat		Certificate		 TÜVRheinland [®]	
Zertifikat Nr. / Certificate No.	Blatt / Sheet	Gültig ab / Valid from			
Ihr Zeichen / Client Reference	Unser Zeichen / Our Reference	Längstens gültig bis / Latest expiration date			
S 60171925	0001	15.08.2023			
	0010-A.W.-DE23DQRF 001	14.08.2028			
Genehmigungsinhaber / License Holder		Fertigungsstätte / Manufacturing Plant			
aeris GmbH Hans-Stießberger-Str. 2 a // 3. OG 85540 Haar Deutschland		aeris GmbH Von-Holzapfel-Str. 6 86497 Horgau Deutschland			
Prüfzeichen / Test Mark		Geprüft nach / Tested acc. to			
 		DIN EN 16139/03.14			
Zertifiziertes Produkt (Geräteidentifikation) / Certified Product (Product Identification)		Lizenzentgelte - Einheit / License Fee - Unit			
<u>Besucherstuhl</u>		6			
Besucherstühle Modellreihe "Numo Comfort" bis zu einem Nutzergewicht von 110 kg					
<p>Besucherstühle mit einer Sitz-Rückenschale aus glasfaserverstärktem Polyamid / Polypropylen mit erhöhten Seitenkanten. Rücken optional mit einem gepolsterten und mit Stoff bezogenen Rückenkissen austattbar. Optional mit Gleitern für harte und weiche Böden. Sitzschale auf drei verschiedenen Untergestellen montiert.</p> <p>Kufengestell = Numo Comfort 1: Gestell (pulverbeschichtet oder verchromt) aus Rundstahl Ø13 mm mit eingeschweißten Quertraversen aus Flachstahl. Vierbein-Stuhl = Numo Comfort 2: Beine aus Massivholz, diese werden in die Aluminiumdruckguss-Sitzunterkonstruktion (pulverbeschichtet oder poliert) eingeschraubt.</p> <p>4-Strahlenfußkreuz mit Gleitern = Numo Comfort 3: Fußkreuz aus Aluminium-Druckguss, Gleiter Ø60 mm.</p> <p>Aluminiumdruckguss-Sitzunterkonstruktion (pulverbeschichtet oder poliert) mit Drehsäule</p> <p>Alle Prüfungen wurden nach DIN EN 16139, in Prüfstufe 1 durchgeführt.</p> <p>Parent ID: 0000043485</p>					
<p>Dem Zertifikat liegt unsere Prüf- und Zertifizierungsordnung zugrunde. Produkt und Fertigungsstätte erfüllen § 20 des Produktsicherheitsgesetzes.</p> <p><i>This certificate is based on our Testing and Certification Regulation. The provisions of §20 Product Safety Act are complied with.</i></p>					
<p>TÜV Rheinland LGA Products GmbH, Tillystraße 2, 90431 Nürnberg http://www.tuv.com/safety E-mail: markcheck@tuv.com Fax: +49 221 806-3935</p>		<p>Zertifizierungsstelle   C. Prosch</p>			
Ausstellungsdatum / Date of Issue : 15.08.2023 (day/mo/yr)					

Aeris Numo Comfort Care instructions

Aeris Numo Comfort

Care instructions

Post-Consumer Polyester Bezug

Always remove stains as quickly as possible before they have penetrated the fibres.

Optimal treatment is with lukewarm water and pH-neutral soap foam. Pre-treat oil and grease stains with ethyl alcohol (spirit).

After each cleaning, treat with clean water. Never use cleaning agents containing

Attention! Cleaning with petrol/acetone etc. can dissolve foam if over applied. Do not saturate. Use a little amount of acetone at a time – Large quantities can cause irreparable damage to the foam. Be careful Acetone is flammable, so keep it away from live flames. Inhalation is dangerous so use in a well ventilated area.

The seat may only be treated when damp, not wet, otherwise the upholstery under the fabric may be damaged under the fabric can be damaged. Therefore, please use only a little water and apply use only small quantities of the cleaning agent.

To avoid edges, please always treat from the edge to the centre.

Cleaning the seat shell and frame

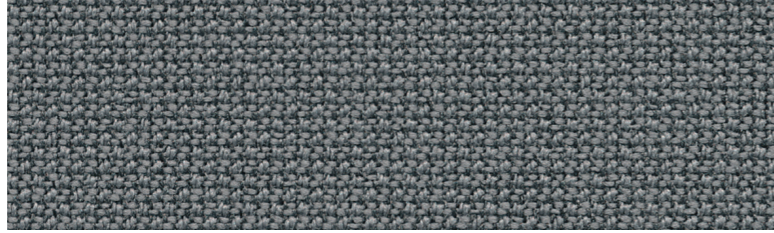
The seat shell and frame can simply be wiped down with a damp cloth; if necessary, use neutral soap as a cleaning agent.

Aeris Numo Comfort Fabric sample overview

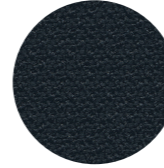
Aeris Numo Comfort

Fabric sample overview

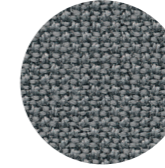
Cura / Gabriel



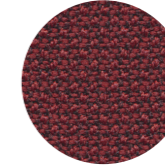
CU01, black
60111



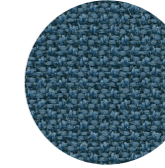
CU02, grey melange
60110



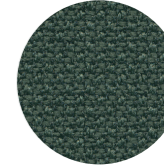
CU03, red melange
64196



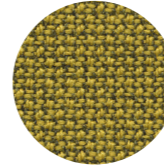
CU04, blue melange
66167



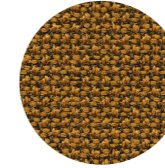
CU05, green melange
68182



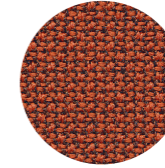
CU06, yellow
melange
62084



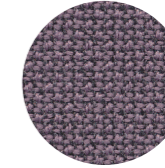
CU07, yellow-orange
melange
62082



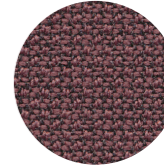
CU08, orange-red
melange
63078



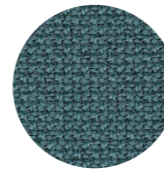
CU09, light violet
melange
64194



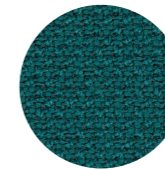
CU10, dark violet
melange
64195



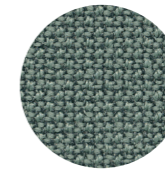
CU11, pigeon blue
melange
68187



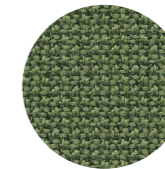
CU12, petrol blue
melange
67084



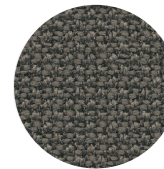
CU13, pale green
melange
68186



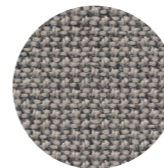
CU14, fern green
melange
68181



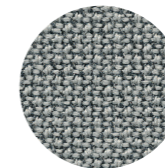
CU15, brown
melange
61169



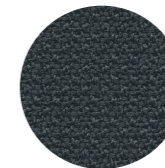
CU16, beige
melange
61168



CU17, light grey
melange
60112



CU18, dark grey
melange
60019





Gabriel Cura features

The Cura fabric cover is characterized by a warm, casual aesthetic that is complemented by a lively melange effect and a soft, voluminous texture.

But this material is not only visually appealing - its high stretchability enables flexible use, making it perfect for office and lounge furniture. But what makes this material special is its sustainability. As much as 98% of the material is made from recycled post-consumer polyester, which makes a significant contribution to reducing waste. In addition, the entire material is 100% recyclable and therefore contributes to a closed-loop economy.

But this material also scores highly in terms of ecological standards. The EU Ecolabel shows that it meets strict environmental criteria and is therefore an environmentally friendly choice. It also fulfills meets the requirements of STANDARD 100 by OEKO-TEX®, which means that it has been tested for possible harmful substances and is considered safe for human use.

Cura-Specifications

Design no.	2480/2544
Composition	98% post-consumer recycled polyester / 2% polyester
Weight	g/lm 420 oz/lin.yd 55
Width	cm 140 inches 55
Abrasion	rubs Martindale (EN ISO 12947-2) 100.000 Double Rubs Wyzenbeek (ASTM D4157-07) (heavy duty upholstery)100.000 ASTM D4157-07 Wyz-abrasion (heavy duty) 100k pass Abrasion test results exceeding ACT Performance Guidelines are not an indicator of product lifespan
Pilling	scale 1-5, max. 5 - EN ISO 12945-2 4-5 ASTM D3511 Pilling pass
Light fastness	scale 1-8, max. 8 - EN ISO 105-B025-8 AATCC 16 Light fastness pass
Rubbing fastness	scale 1-5, max. 5 - EN ISO 105x12 (dry/wet) 4-5/4-5 AATCC 8 oder 116 Dry/wet crocking pass
Care instructions	wash or dry cleaning P(W) Cura is made of polyester which is a material suited for environments with special requirements for cleaning.  40°C shrinkage max. 1%.  60°C shrinkage max. 2%.
Flammability	BS EN 1021 1&2 Cigarette and Match CA TB 117-2013 ASTM E 84 Class 1 Will also pass other flammability standards. Flame retardant performance is dependent upon the foam used. Contains no flame retardant chemicals.
Environment	OEKO-TEX® STANDARD 100 EU Ecolabel

Cura / Gabriel

Gabriel A/S
Hjulmøgelvej 55
9000 Aalborg, DENMARK



DTI TEKSTIL
TEKNOLOGISK INSTITUT
GREGERSENSVEJ
2630 TAASTRUP, DENMARK

Certificate

OEKO-TEX® STANDARD 100

Gabriel A/S

is granted the OEKO-TEX® STANDARD 100 certification
and the right to use the trademark.

SCOPE
Woven and knitted upholstery fabrics of 100% polyester.; Woven des. Event, Event Screen+, Step, Step Screen, Step Melange, Step Melange Screen, Twist, Twist Melange, Go Check, Go Uni, Go Couture, Spin & Contour. Knitted des. Atlantic, Flex, Sync, Sync EU, Athlon & Athlon Plus; upholstery fabrics Step, Step Screen, Step Melange, Step Melange Screen, Twist, Twist Melange, Go Check, Go Uni, Go Couture, Spin & Sync EU are made of yarns with flame retardant properties accepted by OEKO-TEX®



STANDARD 100 876-13601 DTI

This certificate 876-13601 is valid until 31.08.2024.

PRODUCT CLASS
II (products with direct contact to skin) – Annex 4

SUPPORTING DOCUMENTS
✓ Test report : 136-51
✓ Declaration of conformity in accordance with EN ISO 17050-1 as required by OEKO-TEX®
✓ OEKO-TEX® Terms of Use (ToU)


Anette Werker
Senior Consultant Textiles


Maria Rahbek Pedersen
Consultant

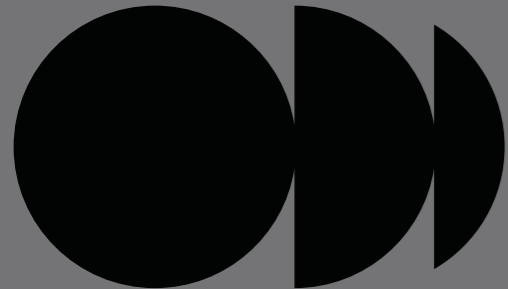
Further compliance information (REACH, SVHC, POP, GB18401 etc.) can be found on oeko-tex.com/en/faq.
The certificate is based on the test methods and requirements of the OEKO-TEX® STANDARD 100 that were in force at the time of evaluation.

Taastrup, 2023-08-14



OEKO-TEX Service GmbH Genferstrasse 23, CH-8002 Zurich

Never just sit.



Aeris GmbH
Hans-Stießberger-Straße 2a
85540 Haar
Germany

Tel.: +49 (0) 89 - 900506 - 0
info@aeris.de
en.aeris.de