



Aeris Numo Task

- Product information
- Product dimensions
- Tender text
- TÜV-GS certificate
- Care instructions
- Fabric sample overview

Aeris Numo Task Product information



Product information

An office chair,
just as flexible
as we are.



Aeris Numo Task Product information

Aeris Numo Task

The Aeris Numo Task is a designer office chair that uniquely combines timeless design with the most innovative technology. The technologies specially developed by Aeris ensure greater well-being and prevent back pain. Its elegant slat design on the backrest not only looks great, but also provides good ventilation for the back in the version without back cushion. The retrofittable back cushion made from recycled PET bottles with integrated lumbar support not only relieves the back, but also the environment.



Product information



The patented Self Adjusting Motion Element (SAM) enables comfortable movement to all sides, regardless of the user's weight. Coupled with Aeris suspension technology and the patented Aeris kinematics, the Aeris Numo Task offers mobility in all three dimensions: vertically, to the sides and forwards and backwards, which effectively prevents back pain. The flexible zone on the front edge of the designer office chair's seat prevents uncomfortable pressure points and promotes blood circulation in the thighs.

Aeris Numo Task Product information

Aeris Numo Task

Technical details

Product weight
With column: 11 kg
Spring strut: 12,3 kg

Foot cross
Glass fibre reinforced
polypropylene
Diameter: 72,5 cm

max. user weight
120 kg

Castors
Braked universal wheels for all
floors according to DIN EN 12529

Seat Shell
Glass fibre reinforced
polypropylene

Product information

Select the right leg type:

Column
Body weight: 45 - 120 kg
Seat height: 42 - 53 cm

Strut Light
Body weight: 45 - 60 kg
Seat height loaded: 44 - 52,5 cm
Seat height unloaded: 54 - 62,5 cm

Strut Standard
Body weight: 60 - 120 kg
Seat height loaded: 44 - 52,5 cm
Seat height unloaded: 54 - 62,5 cm

All models meet the requirements for tested safety (GS), according to DIN 1335/16139.

Awards and certificates:

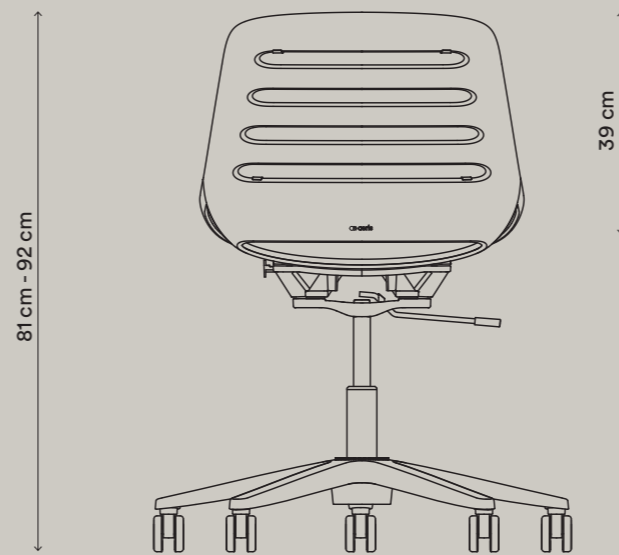
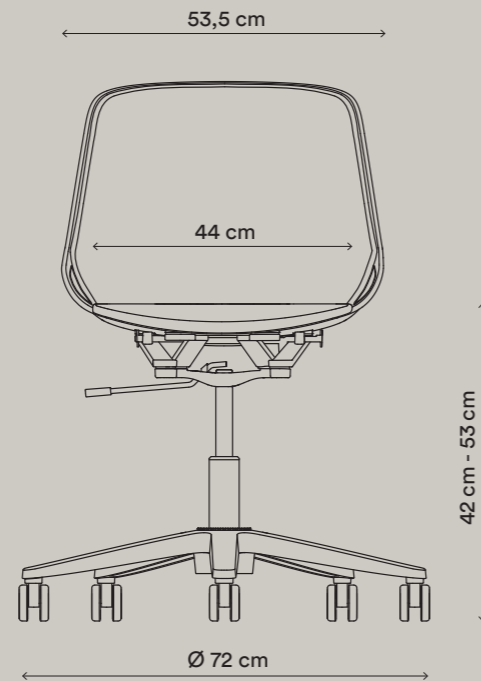


reddot winner 2022

Aeris Numo Task Product dimensions

Aeris Numo Task

Column castors



Product dimensions

Dimensions

Overall height
81 cm - 92 cm

Overall depth
72 cm

Overall width
72 cm

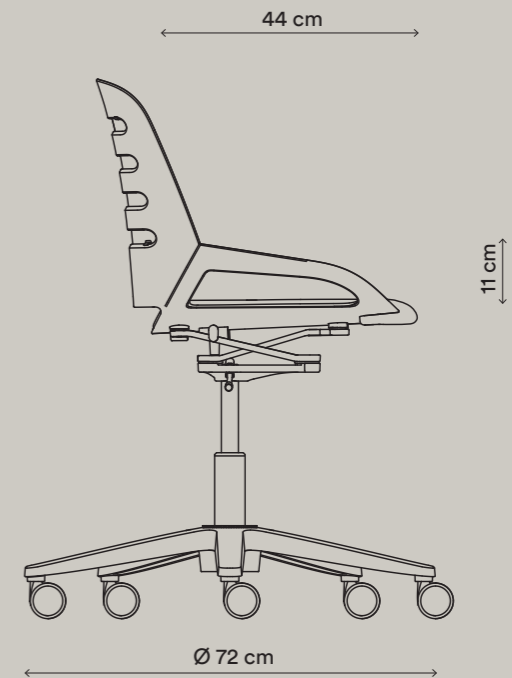
Seat height
42 cm - 53 cm

Backrest height (from seat)
39 cm

Armrest height
11 cm

Seat width
44 cm

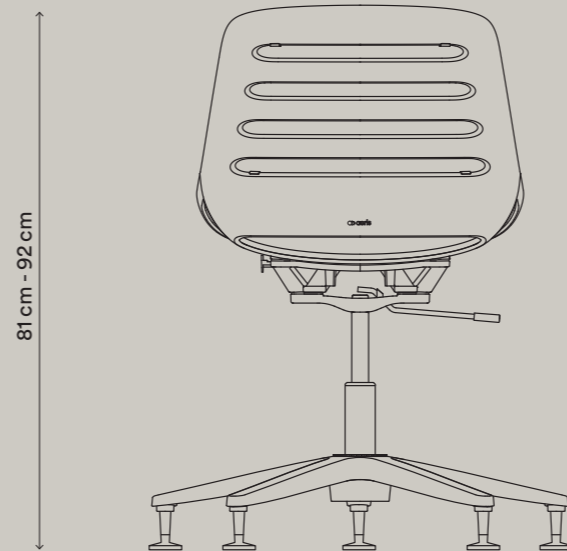
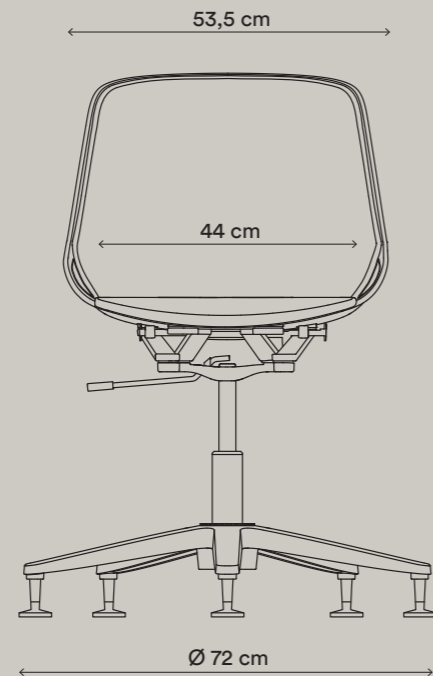
Seat depth
44 cm



Aeris Numo Task Product dimensions

Aeris Numo Task

Column glider



Product dimensions

Dimensions

Overall height
81 cm - 92 cm

Overall depth
72 cm

Overall width
72 cm

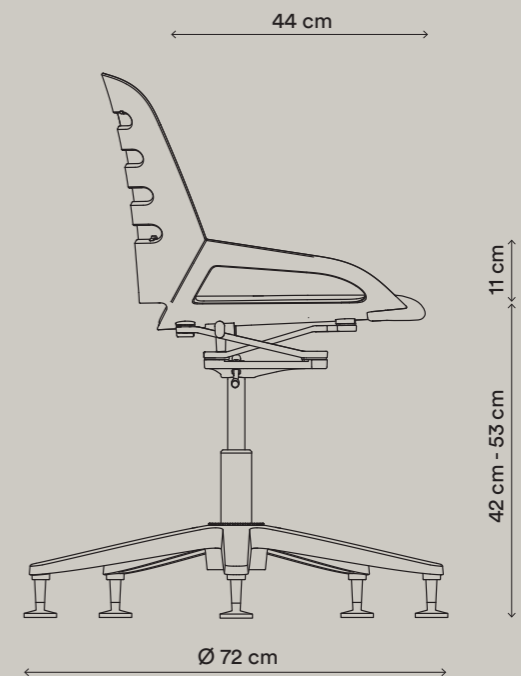
Seat height
42 cm - 53 cm

Backrest height (from seat)
39 cm

Armrest height
11 cm

Seat width
44 cm

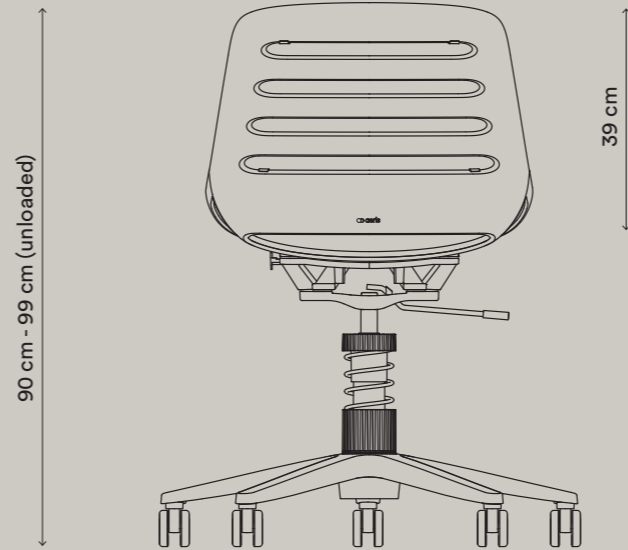
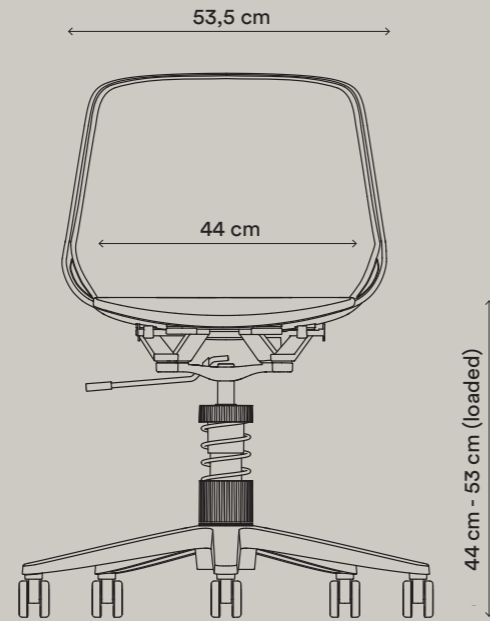
Seat depth
44 cm



Aeris Numo Task Product dimensions

Aeris Numo Task

Spring strut castors



Product dimensions

Dimensions

Overall height
90 cm - 99 cm (unloaded)

Overall depth
72 cm

Overall width
72 cm

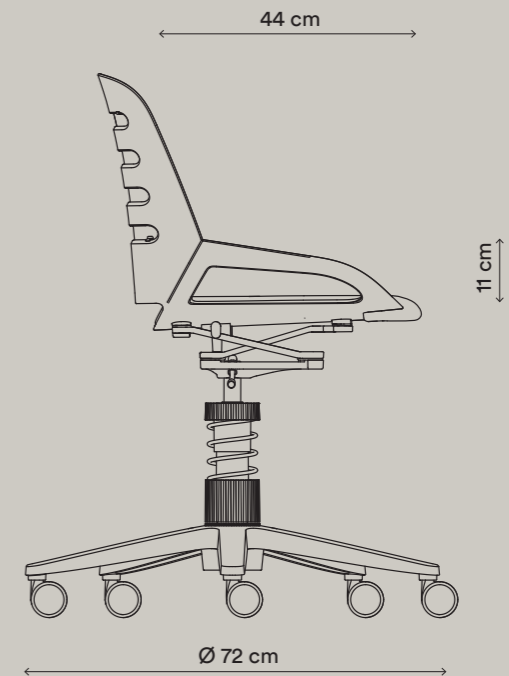
Seat height
44 cm - 53 cm (loaded)

Backrest height (from seat)
39 cm

Armrest height
11 cm

Seat width
44 cm

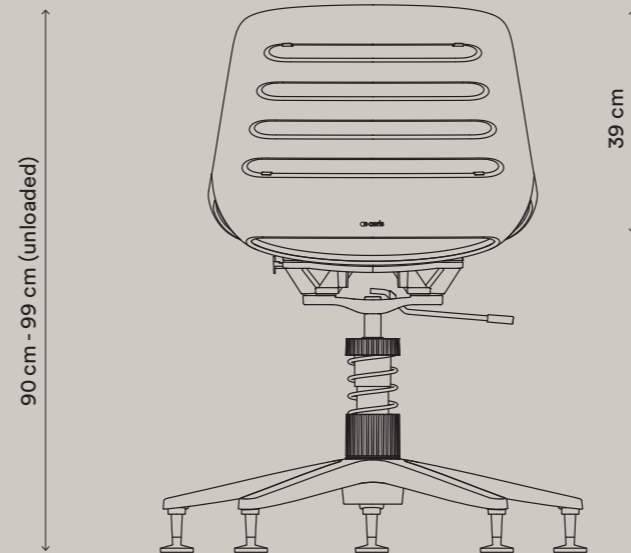
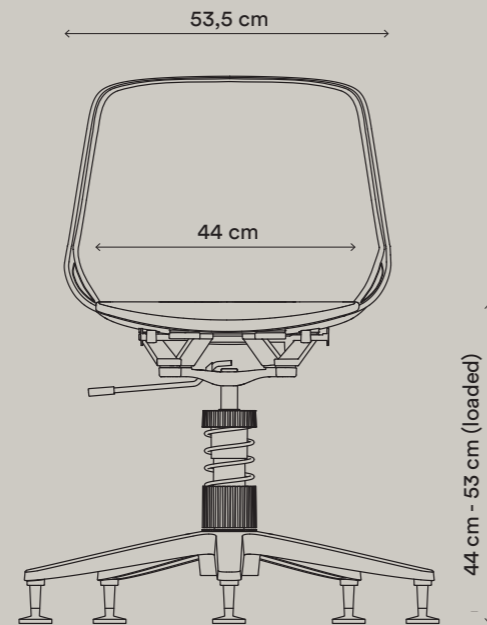
Seat depth
44 cm



Aeris Numo Task Product dimensions

Aeris Numo Task

Spring strut glider



Product dimensions

Dimensions

Overall height
90 cm - 99 cm (unloaded)

Overall depth
72 cm

Overall width
72 cm

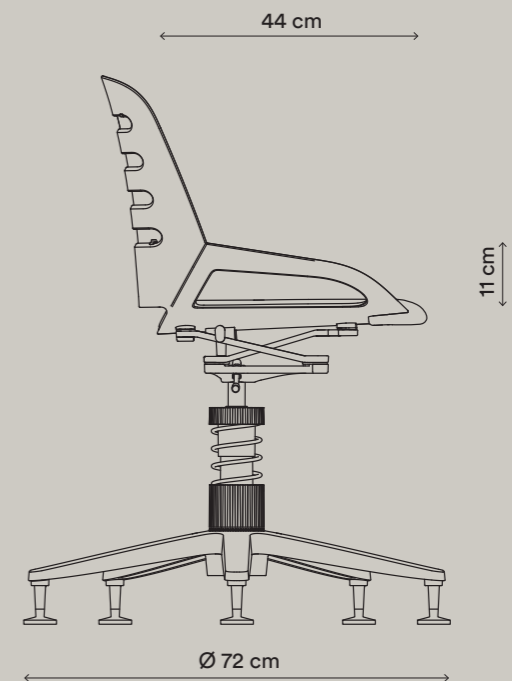
Seat height
44 cm - 53 cm (loaded)

Backrest height (from seat)
39 cm

Armrest height
11 cm

Seat width
44 cm

Seat depth
44 cm



Aeris Numo Task Tender text

Aeris Numo Task

Product type

Active office swivel chair, with column and backrest



Tender text

Product description

The Aeris Numo Task is an ergonomic chair with patented kinematics and a unique movement joint in the base. These technologies enable a comfortable deflection to all sides - regardless of the weight of the user. The front flex zone of the seat cushion prevents unpleasant pressure points and congestion in the thigh. The retrofittable backrest cushion with integrated lumbar support helps to relieve pressure on the back and supports an upright posture. The back cushion also has a clip-in mechanism for easy insertion and removal. The slatted design of the backrest ensures good ventilation of the back in the version without backrest cushion. The sturdy foot ring is extremely stable and resistant to tipping, available with castors or glides. The user weight is 45 - 120 kg. The seat can be swivelled 360°.

Aeris Numo Task TÜV-GS certificate

Aeris Numo Task

TÜV-GS certificate

Zertifikat	Certificate	 TÜVRheinland®		
Zertifikat Nr. Certificate No.	Blatt Sheet	Gültig ab	Valid from	
S 60162307	0001	17.03.2022	(day/mo/yr)	
Ihr Zeichen Client Reference	Unser Zeichen Our Reference	Längstens gültig bis	Latest expiration date	
	0010-A.W.-DE21P0WK 002	16.03.2027	(day/mo/yr)	
Genehmigungsinhaber License Holder		Fertigungsstätte Manufacturing Plant		
aeris GmbH Hans-Stießberger-Str. 2 a // 3. OG 85540 Haar Deutschland		aeris GmbH Von-Holzapfel-Str. 6 86497 Horgau Deutschland		
Prüfzeichen Test Mark		Geprüft nach Tested acc. to		
 		DIN EN 1335-1/07.20 DIN EN 1335-2/04.19		
www.tuv.com ID 1111251325				
Zertifiziertes Produkt (Geräteidentifikation) Certified Product (Product Identification)		Lizenzentgelte - Einheit License Fee - Unit		
Drehstuhl				
Bürodrehstühle Modellreihe "Numo Task"				
<p>Sitzhöhe über Gasfeder von Stabilus (Stab-O-MAT, DIN EN 16955, Klasse 4A) verstellbar. Optional mit Federbein (Light, Standard oder Strong). Fußkreuz aus Kunststoff. Rollen Typ Move 60, Ø 60mm von Gross Stabil (Gross+Proelich/Rolle Move 60). Sitzunterkonstruktion aus Aluminiumdruckguss (pulverbeschichtet). Glasfaserverstärkte Kunststoffschale aus Polyamid). Sitz und Rücken gepolstert und mit Stoff bezogen.</p>				
Alle sicherheitsrelevanten Prüfungen der DIN EN 1335 wurden erfüllt.				
Parent ID: 0000043485.				
<p>Dem Zertifikat liegt unsere Prüf- und Zertifizierungsordnung zugrunde Produkt und Fertigungsstätte erfüllen § 20 des Produktsicherheitsgesetzes. This certificate is based on our Testing and Certification Regulation. The provisions of §20 Product Safety Act are complied with.</p>		Zertifizierungsstelle		
<p>TÜV Rheinland LGA Products GmbH, Tillystraße 2, 90431 Nürnberg http://www.tuv.com/safety E-mail: markcheck@tuv.com Fax: +49 221 806-3935</p>				
Ausstellungsdatum Date of Issue : 17.03.2022 (day/mo/yr)		C. Prosch		

Aeris Numo Task Care instructions

Aeris Numo Task

Post-Consumer Polyester Bezug

Always remove stains as quickly as possible before they have penetrated the fibres.

Optimal treatment is with lukewarm water and pH-neutral soap foam. Pre-treat oil and grease stains with ethyl alcohol (spirit).

After each cleaning, treat with clean water. Never use cleaning agents containing

Attention! Cleaning with petrol/acetone etc. can dissolve foam if over applied. Do not saturate. Use a little amount of acetone at a time – Large quantities can cause irreparable damage to the foam. Be careful Acetone is flammable, so keep it away from live flames. Inhalation is dangerous so use in a well ventilated area.

The seat may only be treated when damp, not wet, otherwise the upholstery under the fabric may be damaged under the fabric can be damaged. Therefore, please use only a little water and apply use only small quantities of the cleaning agent.

To avoid edges, please always treat from the edge to the centre.

Care instructions

Cleaning seat shell and star base

The seat shell and base can simply be wiped down with a damp cloth; if necessary, use neutral soap as a cleaning agent.

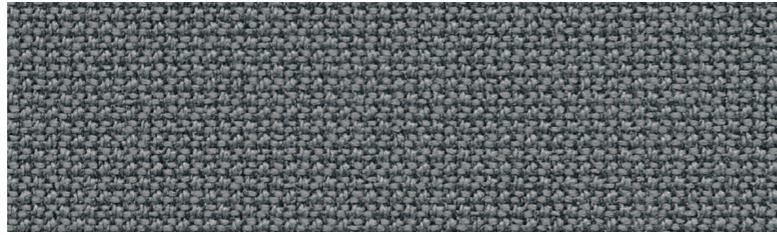
It is best to remove scuff marks from shoe soles on the star base with a soft eraser.

Aeris Numo Task Fabric sample overview

Aeris Numo Task

Fabric sample overview

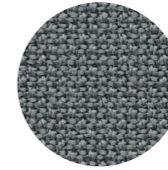
Cura / Gabriel



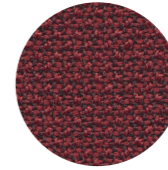
CU01, black
60111



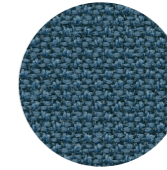
CU02, grey melange
60110



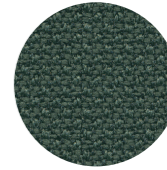
CU03, red melange
64196



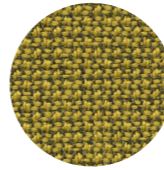
CU04, blue melange
66167



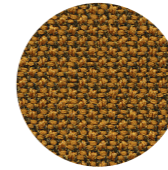
CU05, green melange
68182



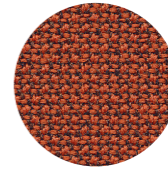
CU06, yellow
melange
62084



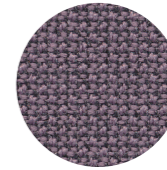
CU07, yellow-orange
melange
62082



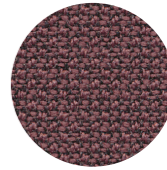
CU08, orange-red
melange
63078



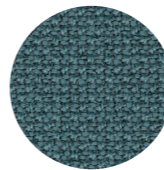
CU09, light violet
melange
64194



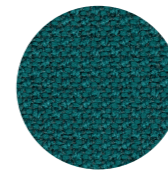
CU10, dark violet
melange
64195



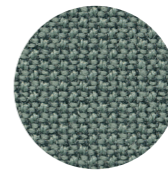
CU11, pigeon blue
melange
68187



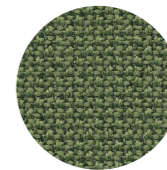
CU12, petrol blue
melange
67084



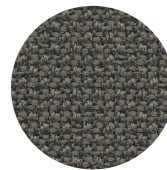
CU13, pale green
melange
68186



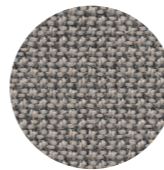
CU14, fern green
melange
68181



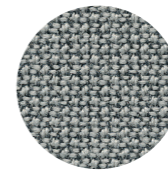
CU15, brown
melange
61169



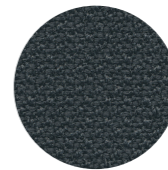
CU16, beige
melange
61168



CU17, light grey
melange
60112



CU18, dark grey
melange
60019





Gabriel Cura features

The Cura fabric cover is characterized by a warm, casual aesthetic that is complemented by a lively melange effect and a soft, voluminous texture.

But this material is not only visually appealing - its high stretchability enables flexible use, making it perfect for office and lounge furniture. But what makes this material special is its sustainability. As much as 98% of the material is made from recycled post-consumer polyester, which makes a significant contribution to reducing waste. In addition, the entire material is 100% recyclable and therefore contributes to a closed-loop economy.

But this material also scores highly in terms of ecological standards. The EU Ecolabel shows that it meets strict environmental criteria and is therefore an environmentally friendly choice. It also fulfills meets the requirements of STANDARD 100 by OEKO-TEX®, which means that it has been tested for possible harmful substances and is considered safe for human use.

Cura-Specifications

Design no.	2480/2544
Composition	98% post-consumer recycled polyester / 2% polyester
Weight	g/lm 420 oz/lin.yd 55
Width	cm 140 inches 55
Abrasion	rubs Martindale (EN ISO 12947-2) 100.000 Double Rubs Wyzenbeek (ASTM D4157-07) (heavy duty upholstery)100.000 ASTM D4157-07 Wyz-abrasion (heavy duty) 100k pass Abrasion test results exceeding ACT Performance Guidelines are not an indicator of product lifespan
Pilling	scale 1-5, max. 5 - EN ISO 12945-2 4-5 ASTM D3511 Pilling pass
Light fastness	scale 1-8, max. 8 - EN ISO 105-B025-8 AATCC 16 Light fastness pass
Rubbing fastness	scale 1-5, max. 5 - EN ISO 105x12 (dry/wet) 4-5/4-5 AATCC 8 oder 116 Dry/wet crocking pass
Care instructions	wash or dry cleaning P(W) Cura is made of polyester which is a material suited for environments with special requirements for cleaning.  40°C shrinkage max. 1%.  60°C shrinkage max. 2%.
Flammability	BS EN 1021 1&2 Cigarette and Match CA TB 117-2013 ASTM E 84 Class 1 Will also pass other flammability standards. Flame retardant performance is dependent upon the foam used. Contains no flame retardant chemicals.
Environment	OEKO-TEX® STANDARD 100 EU Ecolabel

Cura / Gabriel

Gabriel A/S
Hjulmøgelvej 55
9000 Aalborg, DENMARK



DTI TEKSTIL
TEKNOLOGISK INSTITUT
GREGERSENSVEJ
2630 TAASTRUP, DENMARK

Certificate

OEKO-TEX® STANDARD 100

Gabriel A/S

is granted the OEKO-TEX® STANDARD 100 certification
and the right to use the trademark.

SCOPE
Woven and knitted upholstery fabrics of 100% polyester.; Woven des. Event, Event Screen+, Step, Step Screen, Step Melange, Step Melange Screen, Twist, Twist Melange, Go Check, Go Uni, Go Couture, Spin & Contour. Knitted des. Atlantic, Flex, Sync, Sync EU, Athlon & Athlon Plus; upholstery fabrics Step, Step Screen, Step Melange, Step Melange Screen, Twist, Twist Melange, Go Check, Go Uni, Go Couture, Spin & Sync EU are made of yarns with flame retardant properties accepted by OEKO-TEX®



STANDARD 100 876-13601 DTI

This certificate 876-13601 is valid until 31.08.2024.

PRODUCT CLASS
II (products with direct contact to skin) – Annex 4

SUPPORTING DOCUMENTS
✓ Test report : 136-51
✓ Declaration of conformity in accordance with EN ISO 17050-1 as required by OEKO-TEX®
✓ OEKO-TEX® Terms of Use (ToU)

Anette Werker
Anette Werker
Senior Consultant Textiles

Maria Rahbek Pedersen
Maria Rahbek Pedersen
Consultant

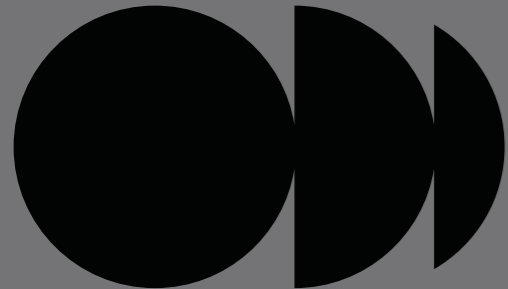
Further compliance information (REACH, SVHC, POP, GB18401 etc.) can be found on [oeko-tex.com/en/faq](https://www.oeko-tex.com/en/faq).
The certificate is based on the test methods and requirements of the OEKO-TEX® STANDARD 100 that were in force at the time of evaluation.

Taastrup, 2023-08-14



OEKO-TEX Service GmbH Genferstrasse 23, CH-8002 Zurich

Never just sit.



Aeris GmbH
Hans-Stießberger-Straße 2a
85540 Haar
Germany

Tel.: +49 (0) 89 - 900506 - 0
info@aeris.de
en.aeris.de